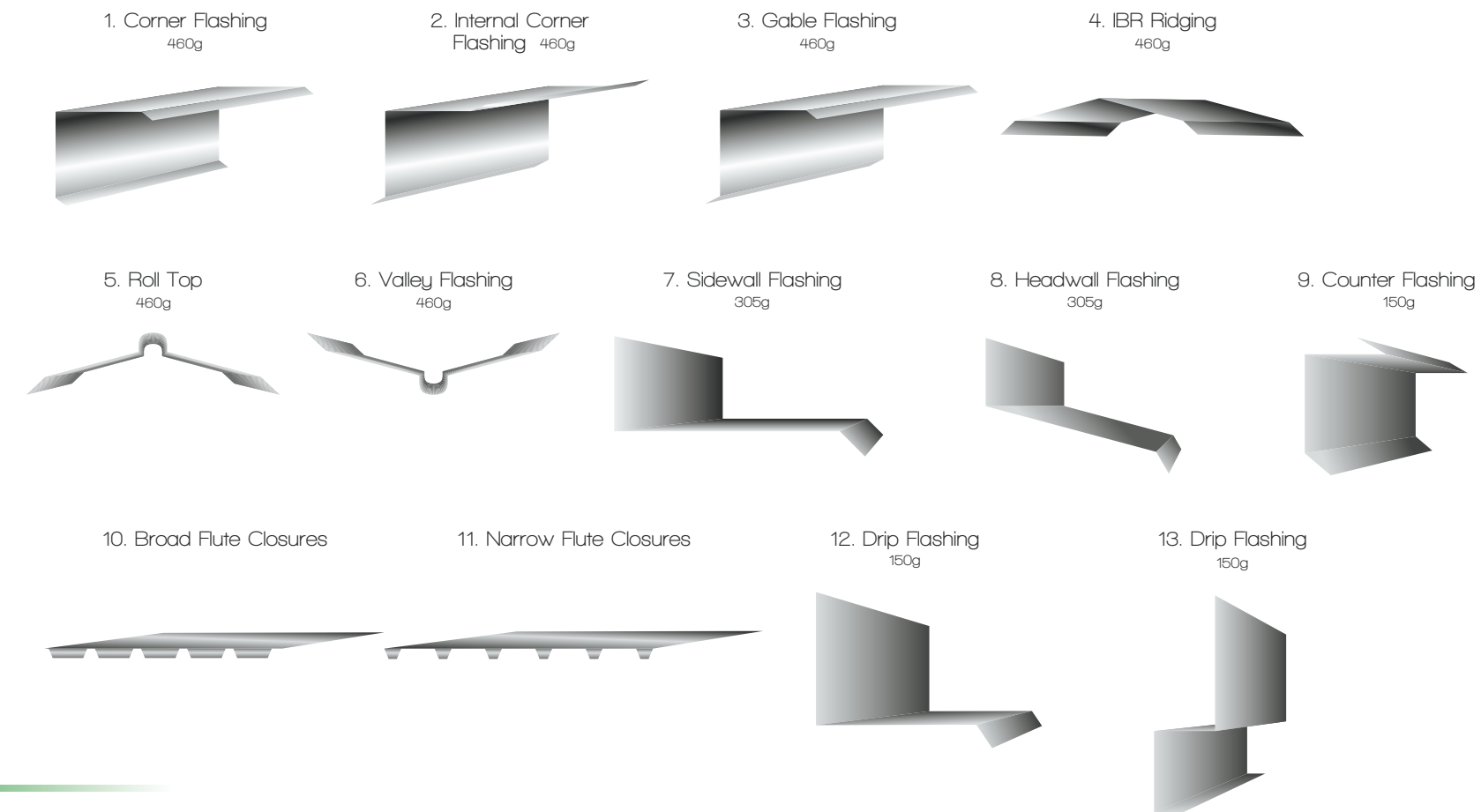
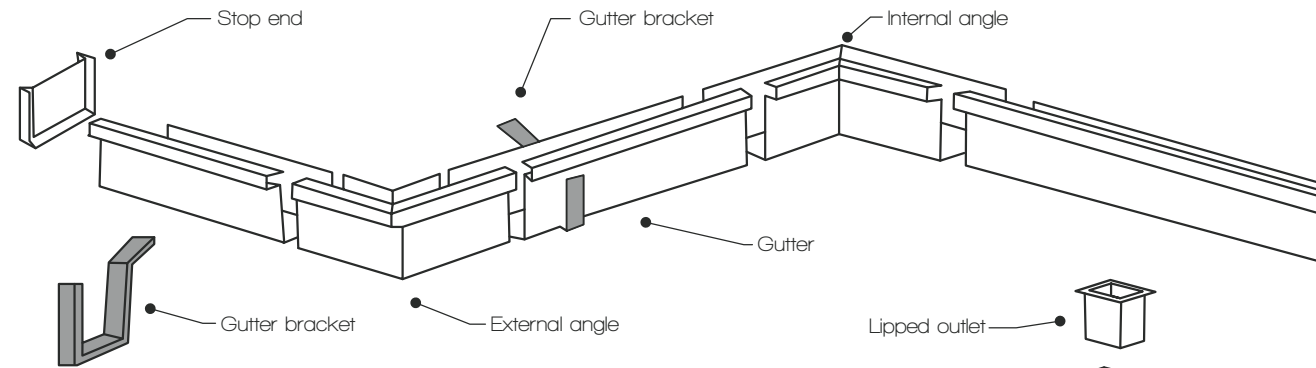


FLASHINGS

Clotan Steel supplies a full range of flashings to customers' requirements. These products are available in 0.40 mm, 0.50 mm, 0.58 mm and 0.8 mm Galvanised, 0.50 mm 0.55 mm, 1 mm and 1.2 mm Zinalume® and ZincAL®, 0.53 mm and 0.55 mm Colorbond® and Colorplus®, 0.58 and 0.80 mm Chromadek®. The standard range of flashings as summarized below is manufactured in 3 m lengths. Non-standard flashings are available on enquiry in different colours, lengths and dimensions.



RAINWATER GOODS



Adding to our wide range of supplementary products, Clotan Steel furthermore supplies a full range of rainwater goods to customers' requirements. The standard range of rainwater goods are available in 3 metre lengths, although non-standard items can be dealt with on a "per enquiry" basis, in various lengths, dimensions and colours. Our technical support division has more than 21 years experience in roofing systems and designs. Not only do we consider the aesthetics of the building when making recommendations, but also the drainage, the size of the gutter and most importantly, installing the right number and size of down pipes. Taking the size of the building as well as the slope of the roof into consideration, we can thus offer you the most efficient drainage system tailor-made for your building. Clotan Steel supplies a full range of rainwater goods to customers' requirements. These products are available in 0.40 mm, 0.50 mm, 0.58 mm and 0.8 mm Galvanised, 0.50 mm, 0.55 mm, 1 mm and 1.2 mm Zincalume® and ZincAL®, 0.53 mm and 0.55 mm Colorbond® and Colorplus®, 0.58 mm and 0.80 mm Chromadek®.

The standard range of rainwater goods is manufactured in 3 m lengths. Non-standard rainwater goods are available on enquiry in different colours, lengths and dimensions.

